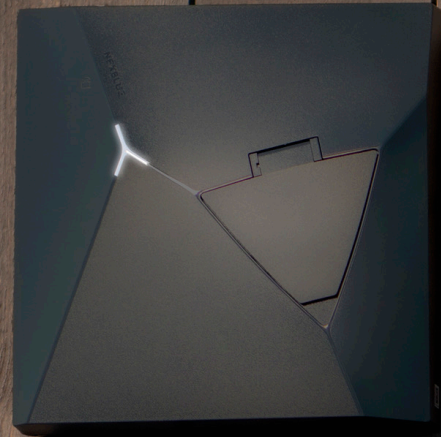




NexBlue Brochure

Power a clean future.



Sweden

+46 738981965

Medborgarplatsen 25, 118 72 Stockholm, Sweden

Norway

+47 40079095

Stemmane 11, 4636 Kristiansand, Norway

Email

info@nexblue.com

Build a better charging experience

Residential and Commercial



Safety and reliability

Our charger is developed with quality components and non-compromised safety features, as confirmed by external testing agencies.



Cost saving

Energy/money saving features (like charging when energy is cheap and clean, DLB and solar charging) can be configured via the APP and are customizable based on customer needs.



One for all and future-oriented

One product with all integrated features achieved by cutting-edge architecture design. It supports all EV types and power grids. In particular, we have the hardware all ready and software upgradeable via OTA. Rest assured that you have the right one for the future.



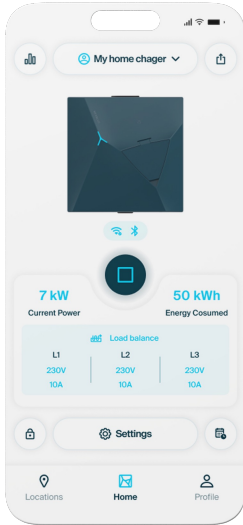
Easy installation and configuration

We care about our users and want to make installers' life easier. With a modular and scalable design, it saves installation time to set up different features and scale easily in the future.



Build a better charging experience

Software design

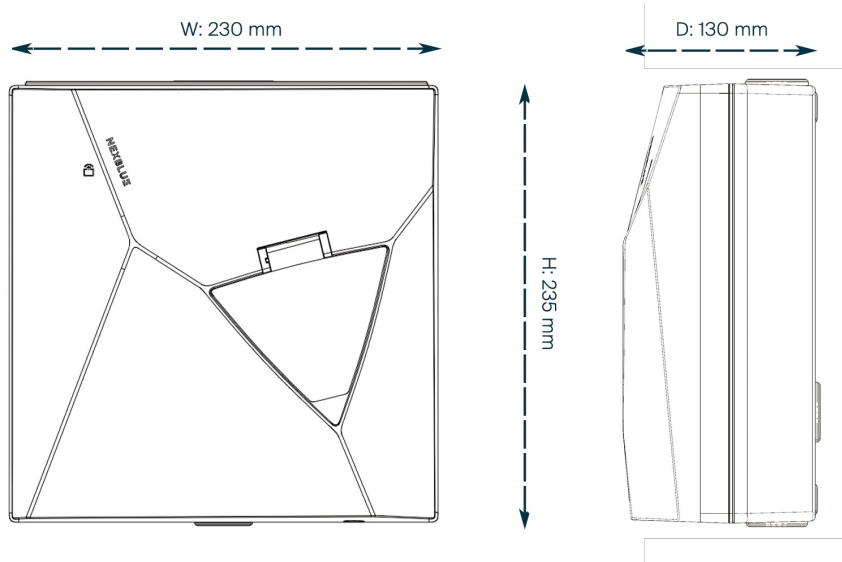


NexBlue APP allows you to remotely control and manage your NexBlue Edge charger.

- Smart control with my NexBlue app
- Monitor and control your charging, anytime and anywhere. Schedule your charging in the cheapest and cleanest way.
- Integrated with residential and local energy solutions by a scalable and inter-connected system.
- Online diagnosis and OTA upgrades to simplify aftersales and always ensure the latest features for our users.



Dimensions



Technical information

General

Dimension (mm):

H: 230 x W: 230 x D: 130

Wall mounting (mm):

c/c 206 x 130 (H*W)

Weight: 1.8 kg

Operating Temperature:

-30 °C to +50 °C

Storage Temperature:

-40 °C to +70 °C

Working Humidity: 5% to 80%

Working Altitude: < 2000m

External Package: Carton

User Interface

Enclosure: Plastics

LED Indicator:

Red / Green / Blue / White / Orange

RFID Reader:

Mifare ISO / IEC 14443 A

Start Mode:

Plug & Play / RFID card / App

Charging & Power grids

Charging Power: 1.4 to 22 kW

Charge Connector: Type 2 Socket

Rated Current:

6 A 1 phase to 32 A 3 phase

Maximum Output Current: 32A

Voltage:

3 * 400V AC / 230V AC ($\pm 10\%$)

Installation network:

TN, IT or TT (detected automatically)

Mains Frequency: 50 / 60 Hz

Connectivity

Wi-Fi: 2.4GHz

Built-in eSIM (LTE Cat M1

/ 2G / GPRS)

Sub-1 GHz: 868

Bluetooth: Ble 5.0

OCPP: OCPP 1.6 via our

API

Protection

Built-in Energy Meter: $\pm 2\%$

Built-in RCD:

30mA Type A + 6mA DC

Ingress Protection: IP54

Impact Protection: IK10

EMC level: CLASS B

Warranty: 3 years

Other protection:

Over current protection;

Residual current protection;

Short circuit protection;

Ground protection;

Surge protection; Over/Under

voltage protection; Over

temperature protection

Regulations:

2014/53/EU (RED)

2011/65/EU (RoHS)

2014/30/EU (EMC)

2014/35/EU (LVD)

See DoC for details at

<https://nexblue.com/pages/doc-declaration-of-conformity>